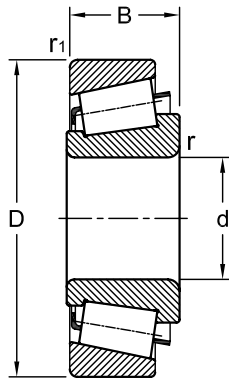


Taper Roller Bearings

Single Row
Metric Series

30, 31, 32



Dimensions				Load Rating			AEC Bearing	
mm				kN				
d	D	B	r	r ₁	Dynamic (C)	Static (C ₀)		
15	35	11.75	0.6	0.6	12.5	11.8	30202	
	42	14.25	1.0	1.0	22.4	20.0	30302	
17	40	13.25	1.0	1.0	19.0	18.6	30203	
	47	15.25	1.0	1.0	28.1	25.0	30303	
	47	20.25	1.0	1.0	34.7	33.5	32303	
18	47	14.38	2.0	2.0	26.4	43.3	I 100545/46	
20	42	15.00	0.6	0.6	24.2	27.0	32004	
	47	15.25	1.0	1.0	27.5	28.0	30204	
	52	16.25	1.5	1.5	34.1	32.5	30304	
	52	22.25	1.5	1.5	44.0	45.8	32304	
22	44	15.00	0.6	0.6	25.1	29.0	320/22	
	47	17.00	1.0	1.0	34.1	36.5	T2CC 022	
25	47	15.00	0.6	0.6	27.0	32.5	32005	
	52	16.25	1.0	1.0	30.8	33.5	30205	
	52	19.25	1.0	1.0	35.8	44.0	32205	
	52	22.00	1.0	1.0	47.3	56.0	33205	
	62	18.25	1.5	1.5	44.6	43.0	30305	
	62	18.25	1.5	1.5	38.0	40.0	31305	
28	62	25.25	1.5	1.5	60.5	63.0	32305	
	52	16.00	1.0	1.0	31.9	38.0	320/28	
	58	20.25	1.0	1.0	41.8	50.0	322/28	
	70	20.50	1.5	1.5	59.5	96.1	1838051/52	
30	55	17.00	1.0	1.0	35.8	44.0	32006	
	62	17.25	1.0	1.0	40.2	44.0	30206	
	62	21.25	1.0	1.0	50.1	57.0	32206	
	62	21.25	1.0	1.0	49.5	58.5	32206 B	
	62	25.00	1.0	1.0	64.4	76.5	33206	
	72	20.75	1.5	1.5	56.1	56.0	30306	
	72	20.75	1.5	1.5	47.3	50.0	31306	
32	72	28.75	1.5	1.5	76.5	85.0	32306	
	58	17.00	1.0	1.0	36.9	46.5	320/32	
	33	62	16.00	2.5	2.5	43.5	76.3	1838055/56

Dimensions					Load Rating		AEC Bearing
mm					kN		
d	D	B	r	r ₁	Dynamic (C)	Static (C ₀)	
35	62	18.00	1.0	1.0	42.9	54.0	32007
	72	18.25	1.5	1.5	51.2	56.0	30207
	72	24.25	1.5	1.5	66.0	78.0	32207
	72	24.25	1.5	1.5	60.5	75.0	32207 B
	72	28.00	1.5	1.5	84.2	106.0	33207
	80	22.75	2.0	1.5	72.1	73.5	30307
	80	22.75	2.0	1.5	61.6	67.0	31307
	80	32.75	2.0	1.5	95.2	106.0	32307
	80	32.75	2.0	1.5	93.5	114.0	32307 B
	68	19.00	1.0	1.0	52.8	71.0	32008
	75	26.00	1.5	1.5	79.2	104.0	33108
	80	19.75	1.5	1.5	61.6	68.0	30208
	80	24.75	1.5	1.5	74.8	86.5	32208
	80	32.00	1.5	1.5	105.0	132.0	33208
	85	33.00	2.0	1.5	121.0	150.0	T2EE 040
	90	25.25	2.5	2.0	85.8	95.0	30308
	90	25.25	2.0	1.5	73.7	81.5	31308
	90	35.25	2.0	1.5	117.0	140.0	32308
	90	35.25	2.0	1.5	108.0	140.0	32308 B
	95	27.50	2.0	1.5	94.4	170.4	331257
45	75	20.00	1.0	1.0	58.3	80.0	32009
	80	26.00	1.5	1.5	84.2	114.0	33109
	85	20.75	1.5	1.5	66.0	76.5	30209
45	85	24.75	1.5	1.5	80.9	98.0	32209
	85	27.75	1.5	1.5	80.9	98.0	32209 sp
	85	27.75	1.5	1.5	73.7	93.0	32209 B
	85	32.00	1.5	1.5	108.0	143.0	33209
	95	29.00	2.5	2.5	89.7	112.0	T7FC 045
	95	36.00	2.5	2.5	147.0	186.0	T2ED 045
	100	27.25	2.0	1.5	108.0	120.0	30309
	100	27.25	2.0	1.5	91.3	102.0	31309
	100	38.45	2.0	1.5	140.0	170.0	32309
	100	38.45	2.0	1.5	134.0	176.0	32309 B
50	80	20.00	1.0	1.0	60.5	154.8	32010
	80	24.00	1.0	1.0	69.3	102.0	33010
	82	21.50	3.0	0.5	72.1	100.0	K-JLM 104948/104910
	85	26.00	1.5	1.5	85.8	122.0	33110
	90	21.75	1.5	1.5	76.5	91.5	30210
	90	24.75	1.5	1.5	82.5	100.0	32210
	90	24.75	1.5	1.5	82.5	104.0	32210 B
	90	28.00	3.0	2.5	106.0	140.0	K-JLM 205149/205110
	90	28.00	3.0	0.8	106.0	140.0	K-JLM 205149/205110 A
	90	32.00	1.5	1.5	114.0	160.0	33210
	100	36.00	2.5	2.5	154.0	200.0	T2ED 050
	105	32.00	3.0	3.0	108.0	137.0	T7FC 050
	110	29.25	2.5	2.0	125.0	140.0	30310
	110	29.25	2.5	2.0	106.0	120.0	31310
110	42.25	2.5	2.0	172.0	212.0	32310	

Dimensions					Load Rating		AEC Bearing
mm					kN		
d	D	B	r	r ₁	Dynamic (C)	Static (C ₀)	
55	110	42.25	2.5	2.0	161.0	216.0	32310 B
	90	23.00	1.5	0.5	78.1	112.0	K-JLM 506849/506810
	90	23.00	1.5	1.5	80.9	116.0	32011
	99	27.00	1.5	1.5	89.7	137.0	33011
	95	30.00	1.5	1.5	110.0	156.0	33111
	100	22.75	2.0	1.5	89.7	106.0	30211
	100	26.75	2.0	1.5	106.0	129.0	32211
	100	26.75	2.0	1.5	101.0	127.0	32211 B
	100	35.00	2.0	1.5	138.0	190.0	33211
	110	39.00	2.5	2.5	179.0	232.0	T2ED 055
60	115	34.00	3.0	3.0	125.0	163.0	T7FC 055
	120	31.50	2.5	2.0	142.0	163.0	30311
	120	31.50	2.5	2.0	121.0	137.0	31311
	120	45.50	2.5	2.0	198.0	250.0	32311
	120	45.50	2.5	2.0	190.0	260.0	32311 B
	95	23.00	1.5	1.5	82.5	122.0	32012
	95	24.00	5.0	2.5	84.2	132.0	K-JLM 508748/508710
	95	27.00	1.5	1.5	91.3	143.0	33012
	100	30.00	1.5	1.5	117.0	170.0	33112
	110	23.75	2.0	1.5	99.0	114.0	30212
65	110	29.75	2.0	1.5	125.0	160.0	32212
	110	38.00	2.0	1.5	168.0	236.0	33212
	115	39.00	4.0	2.5	168.0	250.0	T5ED 060
	115	40.00	2.5	2.5	194.0	260.0	T2EE 060
	125	37.00	3.0	3.0	154.0	204.0	T7FC 060
	110	29.75	2.5	0.5	125.0	160.0	330201
	120	45.50	3.0	2.5	194.2	408.7	215424 C
	130	33.50	3.0	2.5	168.0	196.0	30312
	130	33.50	3.0	2.5	145.0	166.0	31312
	130	48.80	3.0	2.5	229.0	290.0	32312
65	130	48.80	3.0	2.5	220.0	305.0	32312 B
	135	33.45	3.5	3.5	161.9	304.6	330632
	100	23.00	1.5	1.5	84.2	127.0	32013
	100	27.00	1.5	1.5	96.8	156.0	33013
	110	28.00	3.0	2.5	123.0	183.0	K-JM 511946/511910
	110	34.00	1.5	1.5	142.0	208.0	33113
	120	24.75	2.0	1.5	114.0	134.0	30213
	120	32.75	2.0	1.5	151.0	193.0	32213
	120	39.00	4.0	2.5	161.0	240.0	T5ED 065
	120	39.00	3.0	2.5	187.0	265.0	K-JH 211749/211710
65	120	41.00	2.0	1.5	194.0	270.0	33213
	130	37.00	3.0	3.0	157.0	216.0	T7FC 065
	140	36.00	3.0	2.5	194.0	228.0	30313
	140	36.00	3.0	2.5	165.0	193.0	31313
	140	51.00	3.0	2.5	264.0	335.0	32313
	140	51.00	3.0	2.5	246.0	345.0	32313 B
	145	40.00	3.0	3.0	198.4	386.6	77213
	150	53.50	2.5	2.0	301.2	649.7	215426 C

Dimensions					Load Rating		AEC Bearing
mm					kN		
d	D	B	r	r ₁	Dynamic (C)	Static (C ₀)	
70	110	25.00	1.5	1.5	101.0	153.0	32014
	110	26.00	1.0	2.5	101.0	160.0	K-JLM 803146/803110
	110	31.00	1.5	1.5	130.0	196.0	33014
	120	37.00	2.0	1.5	172.0	250.0	33114
	125	26.25	2.0	1.5	125.0	156.0	30214
	125	33.25	2.0	1.5	157.0	208.0	32214
	125	41.00	2.0	1.5	201.0	285.0	33214
	130	43.00	3.0	2.5	233.0	325.0	T2ED 070
	140	39.00	3.0	3.0	176.0	240.0	T7FC 070
	140	52.00	5.0	3.0	281.0	405.0	T4FE 070
	150	38.00	3.0	2.5	220.0	260.0	30314
	150	38.00	3.0	2.5	187.0	220.0	31314
	150	54.00	3.0	2.5	297.0	380.0	32314
	150	54.00	3.0	2.5	281.0	400.0	32314 B
75	105	20.00	1.0	1.0	70.4	116.0	32915
	115	25.00	1.5	1.5	106.0	163.0	32015
	115	31.00	1.5	1.5	134.0	228.0	33015
	120	31.00	3.0	2.5	138.0	216.0	K-JM 714249/714210
	125	37.00	2.0	1.5	176.0	265.0	33115
	130	27.25	2.0	1.5	140.0	176.0	30215
	130	33.25	2.0	1.5	161.0	212.0	32215
	130	41.00	2.0	1.5	209.0	300.0	33215
	145	51.00	3.0	2.5	308.0	450.0	K-JH 415647/415610
	150	42.00	3.0	3.0	201.0	280.0	T7FC 075
	160	40.00	3.0	2.5	246.0	290.0	30315
	160	40.00	3.0	2.5	209.0	245.0	31315
	160	58.00	3.0	2.5	336.0	440.0	32315
	160	58.00	3.0	2.5	336.0	475.0	32315 B
80	125	29.00	1.5	1.5	138.0	216.0	32016
	125	36.00	1.5	1.5	168.0	285.0	33016
	130	37.00	2.0	1.5	179.0	280.0	33116
	140	28.25	2.5	2.0	151.0	183.0	30216
	140	35.25	2.5	2.0	187.0	245.0	32216
	140	46.00	2.5	2.0	251.0	375.0	33216
	145	46.00	3.0	2.5	281.0	400.0	T2ED 080
	170	42.50	3.0	2.5	270.0	320.0	30316
	170	42.50	3.0	2.5	224.0	265.0	31316
	170	61.50	3.0	2.5	380.0	500.0	32316
85	130	29.00	1.5	1.5	140.0	224.0	32017
	130	30.00	3.0	2.5	140.0	228.0	K-JM 716649/716610
	130	36.00	1.5	1.5	183.0	310.0	33017
	140	41.00	2.5	2.0	220.0	340.0	33117
85	150	30.50	2.5	2.0	176.0	220.0	30217
	150	38.50	2.5	2.0	212.0	285.0	32217
	150	49.00	2.5	2.0	286.0	430.0	33217
	180	44.50	4.0	3.0	303.0	365.0	30317
	180	44.50	4.0	3.0	242.0	285.0	31317

Dimensions					Load Rating		AEC Bearing
mm					kN		
d	D	B	r	r ₁	Dynamic (C)	Static (C ₀)	
90	180	63.50	4.0	3.0	402.0	530.0	32317
	180	63.50	4.0	3.0	391.0	560.0	32317 B
	140	32.00	2.0	1.5	168.0	270.0	32018
	140	39.00	2.0	1.5	216.0	355.0	33018
	145	35.00	6.0	2.5	201.0	305.0	K-JM 718149/718110
	150	45.00	2.5	2.0	251.0	390.0	33118
	155	46.00	3.0	3.0	286.0	430.0	T2ED 090
	160	32.50	2.5	2.0	194.0	245.0	30218
	160	42.50	2.5	2.0	251.0	340.0	32218
	160	49.50	2.5	2.0	261.6	602.7	215436 C
95	175	48.00	4.0	4.0	270.0	380.0	T7FC 090
	190	46.50	4.0	3.0	330.0	400.0	30318
	190	46.50	4.0	3.0	264.0	315.0	31318
	190	67.50	4.0	3.0	457.0	610.0	32318
	130	23.00	1.5	1.5	102.0	183.0	32919
	145	32.00	2.0	1.5	168.0	270.0	32019
	145	39.00	2.0	1.5	220.0	375.0	33019
	160	46.00	3.0	3.0	297.0	455.0	T2ED 095
	170	34.50	3.0	2.5	216.0	275.0	30219
	170	45.50	3.0	2.5	281.0	390.0	32219
100	200	49.50	4.0	3.0	330.0	390.0	30319
	200	49.50	4.0	3.0	292.0	355.0	31319
	200	71.50	4.0	3.0	501.0	670.0	32319
	145	24.00	3.0	3.0	125.0	190.0	T4CB 100
	150	32.00	2.0	1.5	172.0	280.0	32020
	150	39.00	2.0	1.5	224.0	390.0	33020
	160	41.00	3.0	3.0	246.0	390.0	K-JHM 720249/720210
	165	47.00	3.0	2.5	314.0	480.0	T2EE 100
	180	37.00	3.0	2.5	246.0	320.0	30220
	180	49.00	3.0	2.5	319.0	440.0	32220
105	180	63.00	3.0	2.5	429.0	655.0	33220
	215	51.50	4.0	3.0	402.0	490.0	30320
	215	56.50	4.0	3.0	374.0	465.0	31320
	215	77.50	4.0	3.0	572.0	780.0	32320
	145	25.00	1.5	1.5	129.0	220.0	32921
	160	35.00	2.5	2.0	201.0	335.0	32021
	190	39.00	3.0	3.0	257.3	506.9	214442 C
	160	43.00	2.5	2.0	246.0	430.0	33021
	190	39.00	3.0	2.5	270.0	355.0	30221
	190	53.00	3.0	2.5	358.0	510.0	32221
110	225	53.50	4.0	3.0	429.0	530.0	30321
	225	58.00	4.0	3.0	402.0	500.0	31321
	225	81.50	4.0	3.0	605.0	815.0	32321
	150	25.00	1.5	1.5	125.0	224.0	32922
	160	27.00	3.0	3.0	154.0	232.0	T4CB 110
	170	38.00	3.0	2.5	215.3	534.7	214244 C
	170	38.00	2.5	2.0	233.0	390.0	32022
	170	47.00	2.5	2.0	281.0	500.0	33022

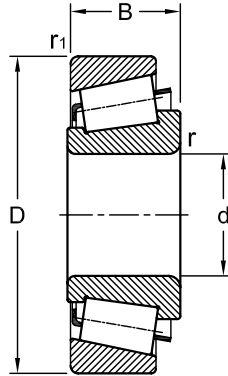
Dimensions					Load Rating		AEC Bearing
mm					kN		
d	D	B	r	r ₁	Dynamic (C)	Static (C ₀)	
110	180	47.00	3.0	2.5	319.0	520.0	K-JHM 522649/522610
	180	56.00	2.5	2.0	369.0	630.0	33122
	200	41.00	3.0	2.5	308.0	405.0	30222
	200	56.00	3.0	2.5	402.0	570.0	32222
	240	54.50	4.0	3.0	473.0	585.0	30322
	240	63.50	4.0	3.0	457.0	585.0	31322
120	240	84.50	4.0	3.0	627.0	830.0	32322
	165	29.00	1.5	1.5	176.0	310.0	32924
	170	27.00	3.0	3.0	157.0	250.0	T4CB 120
	180	38.00	2.5	2.0	242.0	415.0	32024
	180	48.00	2.5	2.0	292.0	540.0	33024
	215	43.50	3.0	2.5	341.0	465.0	30224
130	215	61.50	3.0	2.5	468.0	695.0	32224
	260	59.50	4.0	3.0	561.0	710.0	30324
	260	68.00	4.0	3.0	539.0	695.0	31324
	260	90.50	4.0	3.0	792.0	1120.0	32324
	180	32.00	2.0	1.5	198.0	365.0	32926
	185	29.00	3.0	3.0	194.0	315.0	T4CB 130
	200	45.00	2.5	2.0	314.0	540.0	32026
	230	43.75	4.0	3.0	369.0	490.0	30226
	230	67.75	4.0	3.0	550.0	830.0	32226
	280	63.75	5.0	4.0	627.0	800.0	30326
	280	72.00	5.0	4.0	605.0	780.0	31326
	280	98.75	5.0	4.0	858.0	1180.0	32326
140	190	32.00	2.0	1.5	205.0	390.0	32928
	195	29.00	3.0	3.0	194.0	325.0	T4CB 140
	210	45.00	2.5	2.0	330.0	585.0	32028
	250	45.75	4.0	3.0	418.0	570.0	30228
	250	71.75	4.0	3.0	644.0	1000.0	32228
	300	67.75	5.0	4.0	737.0	950.0	30328
150	300	77.00	5.0	4.0	693.0	900.0	31328
	210	32.00	3.0	3.0	233.0	390.0	T4DB 150
	210	38.00	2.5	2.0	285.0	500.0	32930
	225	48.00	3.0	2.5	369.0	655.0	32030
	225	59.00	3.0	2.5	457.0	865.0	33030
	270	49.00	4.0	3.0	429.0	560.0	30230
	270	77.00	4.0	3.0	737.0	1140.0	32230
	320	72.00	5.0	4.0	825.0	1060.0	30330
	320	82.00	5.0	4.0	781.0	1020.0	31330
	320	114.00	5.0	4.0	1170.0	1660.0	32330
160	220	32.00	3.0	3.0	242.0	415.0	T4DB 160
	220	38.00	2.5	2.0	300.0	530.0	32932
	240	51.00	3.0	2.5	429.0	780.0	32032
	290	52.00	4.0	3.0	528.0	735.0	30232
	290	84.00	4.0	3.0	880.0	1400.0	32232
	340	75.00	5.0	4.0	913.0	1180.0	30332
170	230	38.00	2.5	2.0	286.0	585.0	32934
	260	57.00	3.0	2.5	512.0	915.0	32034

Dimensions					Load Rating		AEC Bearing
mm					kN		
d	D	B	r	r ₁	Dynamic (C)	Static (C ₀)	
180	310	57.00	5.0	4.0	616.0	865.0	30234
	310	91.00	5.0	4.0	1010.0	1630.0	32234
	360	80.00	5.0	4.0	1020.0	1340.0	30334
	250	45.00	2.5	2.0	352.0	735.0	32936
	280	64.00	3.0	2.5	644.0	1160.0	32036
	320	57.00	5.0	4.0	583.0	815.0	30236
190	320	91.00	5.0	4.0	1010.0	1630.0	32236
	260	45.00	2.5	2.0	358.0	765.0	32938
	290	64.00	3.0	2.5	660.0	1200.0	32038
	340	60.00	5.0	4.0	721.0	1000.0	30238
200	340	97.00	5.0	4.0	1190.0	1930.0	32238
	280	51.00	3.0	2.5	473.0	950.0	32940
	310	70.00	3.0	2.5	748.0	1370.0	32040
	360	64.00	5.0	4.0	792.0	1120.0	30240
	360	104.00	5.0	4.0	1210.0	2000.0	32240
	285	41.00	4.0	3.0	396.0	830.0	T2DC 220
220	300	51.00	3.0	2.5	500.0	980.0	32944
	340	76.00	4.0	3.0	897.0	1660.0	32044
	400	72.00	5.0	4.0	990.0	1400.0	30244
	400	114.00	5.0	4.0	1610.0	2700.0	32244
	320	42.00	3.0	3.0	429.0	815.0	T4EB 240
	320	51.00	3.0	2.5	512.0	1080.0	32948
240	360	76.00	4.0	3.0	935.0	1800.0	32048
	440	127.00	5.0	4.0	1940.0	3350.0	32248
	360	63.50	3.0	2.5	750.0	1500.0	32952
	400	87.00	5.0	4.0	1170.0	2200.0	32052
	480	137.00	6.0	5.0	2200.0	3650.0	32252
	540	113.00	6.0	6.0	2120.0	3050.0	30352
280	380	63.50	3.0	2.5	765.0	1660.0	32956
	420	87.00	5.0	4.0	1210.0	2360.0	32056
300	420	76.00	4.0	3.0	1050.0	2240.0	32960
	460	100.00	5.0	4.0	1530.0	2900.0	32060
320	480	100.00	5.0	4.0	1540.0	3100.0	32064

Taper Roller Bearings

Single Row
Inch Series

K, KHM, KL, KLM



Dimensions				Load Rating			AEC Bearing	
inch				kN				
d	D	B	r (mm)	r ₁ (mm)	Dynamic (C)	Static (C ₀)		
0.5901	1.3775	0.4330	0.8	1.3	13.4	13.2	K-A 4059/K-A 4138	
0.6250	1.6250	0.5625	1.3	2.0	22.0	21.2	K-03062/K-03162	
	1.6875	0.5625	1.5	1.5	17.6	17.6	K-11590/K-11520	
0.6875	1.5700	0.5450	1.3	1.3	21.2	20.8	K-LM 11749/K-LM 11710	
0.7500	1.7810	0.6100	1.3	1.3	27.5	27.5	K-LM 11949/K-LM 11910	
	1.9380	0.7100	1.3	1.3	39.1	40.0	K-09067/K-09195	
	1.9380	0.7813	1.5	1.3	39.1	40.0	K-09074/K-09195	
	1.9380	0.7813	1.3	1.3	39.1	40.0	K-09078/K-09195	
	1.9380	0.8350	1.3	1.5	39.1	40.0	K-09067/K-09196	
	1.9380	0.9063	1.5	1.5	39.1	40.0	K-09074/K-09196	
	1.9380	0.9063	1.3	1.5	39.1	40.0	K-09078/K-09196	
	2.1250	0.8750	1.5	2.3	39.6	39.0	K-21075/K-21212	
	0.8120	1.9380	0.7813	1.5	1.3	39.1	40.0	K-09081/K-09195
		1.9380	0.9063	1.5	1.5	39.1	40.0	K-09081/K-09196
0.8437	1.9687	0.6900	1.3	1.3	36.9	38.0	K-M 12649/K-M 12610	
0.8656	1.7810	0.6100	1.3	1.3	27.5	31.0	K-LM 12749/K-LM 12710	
	1.8100	0.6100	1.3	1.3	27.5	31.0	K-LM 12749/K-LM 12711	
0.8750	2.0000	0.5910	1.5	1.5	28.1	30.5	K-07087/K-07210 X	
	2.0625	0.7625	1.5	1.5	41.8	44.0	K-1380/K-1328	
1.0000	1.9800	0.5600	1.3	1.3	26.0	30.0	K-L 44643/K-L 44610	
	2.0000	0.5910	1.5	1.5	28.1	30.5	K-07100 S/K-07210 X	
	2.0000	0.5910	3.3	1.5	28.1	30.5	K-07100 SA/K-07210 X	
	2.2500	0.7650	1.5	1.5	39.6	45.0	K-M 84548/K-M 84510	
	2.4409	0.7500	0.8	1.3	48.4	57.0	K-15101/K-15245	
	2.5000	0.8125	3.5	1.3	47.4	86.0	15100/15250	
1.0236	2.5000	0.8125	0.8	1.5	48.4	57.0	K-15101/K-15250 X	
	2.3543	0.6875	2.0	2.0	43.5	76.3	1838057/1838058	
1.0625	1.9800	0.5600	3.5	1.3	26.0	30.0	K-L 44649/K-L 44610	
1.1250	2.2500	0.7813	3.5	1.5	47.3	55.0	K-1988/K-1922	
	2.4409	0.7500	3.5	1.3	48.4	57.0	K-15112/K-15245	
	2.5000	0.8125	3.5	1.5	48.4	57.0	K-15112/K-15250	
	2.5312	0.8438	1.5	1.5	49.5	61.0	K-M 86647/K-M 86610	

Dimensions				Load Rating			AEC Bearing
inch				kN			
d	D	B	r (mm)	r ₁ (mm)	Dynamic (C)	Static (C ₀)	
	2.6875	0.8750	0.8	1.5	58.3	69.5	K-02474/K-02420
1.1417	1.9800	0.5600	3.5	1.3	26.0	32.5	331274
1.1811	2.7170	0.7813	0.8	1.3	53.9	67.0	K-14118/K-14276
	2.8380	0.8813	0.8	2.3	53.9	67.0	K-14118/K-14283
1.1875	2.5312	0.8438	1.5	1.5	49.5	61.0	K-M 86649/K-M 86610
	2.6875	0.8750	2.3	1.5	55.0	69.5	K-M 88043/K-M 88010
	2.6875	0.8750	2.3	2.3	55.0	69.0	K-M 88043/K-M 88011
1.1895	2.4409	0.7500	3.5	1.3	48.4	57.0	K-15118/K-15245
	2.5000	0.8125	3.5	1.5	48.4	57.0	K-15118/K-15250 X
1.2500	2.3280	0.6250	3.6	1.3	34.7	41.5	K-LM 67048/K-LM 67010
	2.4409	0.7150	4.0	1.3	48.4	57.0	K-15123/K-15245
	2.5000	0.7775	4.0	1.5	48.4	57.0	K-15123/K-15250 X
	2.6150	1.0000	0.8	3.3	69.3	81.5	K-2580/K-2520
	2.6875	0.8750	1.5	1.5	55.0	69.5	K-M 88046/K-M 88010
	2.6875	0.8750	1.5	2.3	55.0	69.5	K-M 88046/K-M 88011
	2.8593	1.1875	0.8	3.3	79.3	144.1	3188 / 3120
	2.8750	1.1563	1.3	3.3	70.4	95.0	K-HM 88452/K-HM 88510
	3.1250	1.0000	1.5	1.5	67.1	71.0	K-43125/K-43312
1.3125	2.6875	0.8750	0.8	1.5	55.0	69.5	K-M 88048/K-M 88010
	2.6875	0.8750	0.8	2.3	55.0	69.5	K-M 88048/K-M 88011
	2.7170	0.7813	3.5	3.3	53.9	67.0	K-14130/K-14274
	2.7170	0.7813	3.5	1.3	53.9	67.0	K-14130/K-14276
	2.7500	0.9375	3.5	1.3	70.4	133.2	2585/2523
	2.8380	0.8813	3.5	2.3	53.9	67.0	K-14130/K-14283
	3.0000	1.1563	0.8	3.3	78.1	106.0	K-HM 89443/K-HM 89410
	3.1250	1.0000	3.5	1.5	67.1	71.0	K-43131/K-43312
1.3750	2.5625	0.7100	3.6	1.3	47.3	57.0	K-LM 484548/K-LM 48510
	2.7170	0.7813	1.5	1.3	53.9	67.0	K-14137 A/K-14276
	2.7170	0.7813	3.5	1.3	53.9	67.0	K-14138 A/K-14276
	2.7170	0.7813	1.5	3.3	53.9	67.0	K-14137 A/K-14274
	2.7170	0.7813	3.5	3.3	53.9	67.0	K-14138 A/K-14274
	2.7170	1.0623	0.8	1.3	53.9	67.0	K-14136 A/K-14276
	2.7170	1.0623	0.8	3.3	53.9	67.0	K-14136 A/K-14274
	2.8380	0.8813	1.5	2.3	53.9	67.0	K-14137 A/K-14283
	2.8380	0.8813	3.5	2.3	53.9	67.0	K-14138 A/K-14283
	2.8380	1.1623	0.8	2.3	53.9	67.0	K-14136 A/K-14283
	2.8438	1.0000	2.3	2.3	67.1	90.0	K-HM 88649/K-HM 88610
	3.0000	0.8125	1.5	1.3	56.1	64.0	K-28137/K-28300
	3.0000	1.1563	3.5	3.3	78.1	106.0	K-HM 89446/K-HM 89410
	3.0000	1.1563	3.5	3.3	85.8	106.0	K-31593/K-31520
	3.0000	1.1563	1.5	3.3	85.8	106.0	K-31594/K-31520
	3.1250	1.1563	3.5	3.3	91.3	110.0	K-3478/K-3420
	3.1510	0.8438	1.5	1.5	56.1	64.0	K-28137/K-28317
	3.4375	1.1875	3.5	3.3	102.0	132.0	K-3581/K-3525
	2.8750	0.9375	1.5	0.8	72.1	88.0	K-25877/K-25821
	2.8750	0.9375	1.5	2.3	72.1	88.0	K-25877/K-25820
	2.8750	1.0625	3.5	1.5	73.7	88.0	K-23690/K-23620
1.3775	2.3280	0.6250	3.5	1.3	33.0	44.0	K-L 68149/K-L 68110

Dimensions				Load Rating			AEC Bearing	
inch				kN				
d	D	B	r (mm)	r ₁ (mm)	Dynamic (C)	Static (C ₀)		
1.4365	2.3612	0.6250	3.5	1.3	33.0	44.0	K-L 68149/K-L 68111	
	2.8750	0.9375	1.5	0.8	72.1	88.0	K-25880/K-25821	
	2.8750	0.9375	1.5	2.3	72.1	88.0	K-25880/K-25820	
	2.8750	0.9375	3.5	0.8	74.8	93.0	K-2794/K-2735 X	
1.4375	3.0000	0.9375	3.5	3.3	74.8	93.0	K-2794/K-2720	
	3.0000	1.1563	0.8	3.3	78.1	106.0	K-HM 89448/K-HM 89410	
	3.0000	1.1563	3.5	3.3	78.1	106.0	K-HM 89449/K-HM 894410	
1.5000	3.0000	1.1563	3.5	3.3	85.8	106.0	K-31597/K-31520	
	2.5625	0.7100	2.3	1.3	42.9	57.0	K-LM 29749/K-LM 29710	
	2.5625	0.7800	2.3	1.3	42.9	57.0	K-LM 29749/K-LM 29711	
	2.8346	0.6700	1.5	2.0	42.9	51.0	K-19150/K-19283 X	
	2.8346	0.7480	3.5	1.5	49.5	60.0	K-16150/K-16283	
	2.8440	0.8125	3.5	1.3	49.5	60.0	K-16150/K-16284	
	2.8440	0.9375	3.5	2.3	49.5	60.0	K-16150/K-16283	
	2.8750	0.9375	3.5	0.8	74.8	93.0	K-2788/K-2735 X	
	3.0000	0.8125	1.5	1.3	56.1	64.0	K-28150/K-28300	
	3.0000	0.9375	3.5	0.8	74.8	93.0	K-2788/K-2729	
	3.0000	0.9375	3.5	3.3	74.8	93.0	K-2788/K-2720	
	3.1250	1.1563	3.5	3.3	91.3	110.0	K-3490/K-3420	
	3.1510	0.8438	1.5	1.5	56.1	64.0	K-28150/K-28317	
	3.2500	1.1563	0.8	3.3	85.8	118.0	K-HM 801346/K-HM 801310	
1.5625	3.2500	1.1563	2.3	3.3	85.8	118.0	K-HM 801346 X/K-HM 801310	
	3.4843	1.0625	3.5	1.5	101.0	114.0	K-418/K-414	
	2.8750	0.9375	3.5	0.8	74.8	93.0	K-2789/K-2735 X	
	2.8750	1.0096	0.8	2.3	66.0	86.5	K-M 201047/K-M 201011	
	3.0000	0.9375	3.5	0.8	74.8	93.0	K-2789/K-2729	
	3.0000	0.9375	3.5	3.3	74.8	93.0	K-2789/K-2720	
	1.6137	2.7549	0.6890	3.6	1.5	44.0	58.5	K-LM 300849/K-LM 300811
	1.6250	2.8750	0.6562	3.5	1.5	46.8	56.0	K-18590/K-18520
		2.8910	0.7700	3.5	0.8	55.0	69.5	K-LM 501349/K-LM 501310
		2.8910	0.8437	3.5	0.8	55.0	69.5	K-LM 501349/K-LM 501314
2.8910		0.9060	3.5	2.3	55.0	69.5	K-LM 501349/K-LM 501311	
3.0000		0.7090	1.5	1.5	45.7	56.0	K-11162/K-11300	
3.0000		0.8750	3.5	0.8	68.2	86.5	K-24780/K-24720	
3.2500		1.0450	3.5	3.3	73.7	91.5	K-M 802048/K-M 802011	
3.4375		1.1875	1.5	3.3	102.0	132.0	K-3585/K-3525	
3.4375		1.1875	3.5	3.3	102.0	132.0	K-3577/K-3525	
3.4843		1.0625	3.5	1.5	101.0	114.0	K-419/K-414	
3.5000		1.1875	35.0	3.3	95.2	127.0	K-HM 803146/K-HM 803110	
3.7500		1.2188	1.5	0.8	88.0	96.5	K-53162/K-53375	
3.7500		1.2188	1.5	2.3	88.0	96.5	K-53162/K-53370	
3.8750		1.2188	1.5	1.5	88.0	96.5	K-53162/K-53387 X	
1.6875	4.0000	1.3750	3.5	3.3	151.0	190.0	K-526/K-522	
1.6875	3.4375	1.1875	3.5	3.3	102.0	132.0	K-3579/K-3525	
	1.6880	3.2650	0.9375	3.5	0.8	80.9	106.0	K-25577/K-25520
		3.2650	1.0625	3.5	2.3	80.9	106.0	K-25577/K-25523
	3.2700	0.9400	3.5	2.0	80.9	106.0	K-25577/K-25522	
1.7500	2.8750	0.7188	1.5	1.5	48.4	67.0	K-L 102849/K-L 102810	

Dimensions				Load Rating			AEC Bearing
inch				kN			
d	D	B	r (mm)	r ₁ (mm)	Dynamic (C)	Static (C ₀)	
	3.2650	0.9375	3.5	0.8	80.9	106.0	K-25580/K-25520
	3.2650	1.0586	3.5	2.3	80.9	106.0	K-25580/K-25523
	3.2700	0.9400	3.5	2.0	80.9	106.0	K-25580/K-25522
	3.4375	1.1875	3.5	3.3	102.0	132.0	K-3578/K-3525
	3.5000	1.1875	3.5	3.3	95.2	127.0	K-HM 803149/K-HM 803110
	3.5480	0.9055	3.5	2.3	70.4	81.5	K-355 X/K-352
	3.6250	1.1875	3.5	3.3	95.2	127.0	LM 803149/LM 803112
	3.6718	1.1875	3.5	3.3	110.0	146.0	K-3782/K-3720
1.7500	3.7500	1.0938	3.5	2.3	105.0	125.0	K-438/K-432
	3.7500	1.0938	0.8	0.8	105.0	137.0	K-33885/K-33822
	3.7500	1.2188	1.3	0.8	88.0	96.5	K-53176/K-53375
	3.7500	1.2188	1.3	2.3	88.0	96.5	K-53176/K-53377
	3.7500	1.2188	2.0	0.8	88.0	96.5	K-53178/K-53375
	3.7500	1.2188	2.0	2.3	88.0	96.5	K-53178/K-53377
	3.7500	1.2188	3.5	0.8	88.0	96.5	K-53177/K-53375
	3.7500	1.2188	3.5	0.8	101.0	122.0	K-HM 903249/K-HM 903210
	3.8750	1.2188	1.3	1.5	88.0	96.5	K-53176/K-53387 X
	4.0000	1.3750	3.5	3.3	151.0	190.0	K-527/K-522
	4.2500	1.4375	3.5	3.3	151.0	190.0	K-535/K-532 X
	4.3750	1.5000	3.5	3.3	151.0	190.0	K-535/K-532 A
	4.7500	1.6250	3.5	3.3	168.0	212.0	K-615/K-612
1.7710	3.6718	1.1875	3.5	3.3	110.0	146.0	K-3776/K-3720
1.7712	3.3465	0.8125	2.0	1.5	70.4	81.5	K-358 X/K-354 X
	4.1333	0.9257	2.5	2.5	110.0	146.0	K-HM 905843/K-HM 905810
1.7812	3.0625	0.7812	3.5	0.8	53.9	69.5	K-LM 603049/K-LM 603011
1.7960	3.2650	0.9375	3.5	0.8	80.9	106.0	K-25590/K-25520
	3.2650	1.0625	3.5	2.3	80.9	106.0	K-25590/K-25523
	3.2700	0.9400	3.5	2.0	80.9	106.0	K-25590/K-25522
1.8105	2.9518	0.7087	2.3	1.5	50.1	71.0	K-LM 503349/K-LM 503310
	3.5817	1.2598	3.5	3.5	121.0	156.0	K-HM 204049/K-HM 204010
1.8125	3.1250	0.6875	2.8	1.5	49.5	62.0	K-18690/K-18620
	3.3465	0.8125	2.3	1.5	70.4	81.5	K-359 S/K-354 X
1.8750	3.8125	0.8268	0.8	0.8	80.9	102.0	K-386 A/K-382 A
	4.0000	1.3750	3.5	3.3	151.0	190.0	K-528/K-522
1.8750	4.0000	1.3750	8.0	3.3	151.0	190.0	K-528 R/K-522
	4.3750	1.1875	3.5	3.3	95.2	114.0	K-55187/K-55437
	4.4375	1.1875	3.5	3.3	95.2	114.0	K-55187/K-55443
1.9375	4.0625	0.9314	3.5	3.3	176.0	240.0	K-5395/K-5335
	4.1250	1.4375	3.5	3.3	145.0	204.0	K-HM 807044/K-HM 807010
1.9685	3.6718	1.1875	3.5	3.3	110.0	146.0	50KW01/3720
2.0000	3.3465	0.6875	3.5	1.5	50.1	65.5	K-18790/K-18720
	3.5000	0.8125	3.5	1.3	76.5	91.5	K-368 A/K-362 A
	3.5433	0.9843	3.5	2.0	76.5	91.5	K-368 A/K-362 X
	3.6250	0.9688	3.5	0.8	85.8	118.0	K-28580/K-28521
	3.6718	1.1875	3.5	3.3	110.0	146.0	K-3780/K-3720
	3.7500	1.0938	3.5	0.8	105.0	137.0	K-33889/K-33822
	3.8437	0.9688	3.5	0.8	89.7	129.0	K-28678/K-28622
	4.0000	1.3750	3.5	3.3	151.0	190.0	K-529 X/K-522

Dimensions				Load Rating			AEC Bearing
inch				kN			
d	D	B	r (mm)	r ₁ (mm)	Dynamic (C)	Static (C ₀)	
	4.1250	1.1688	3.5	3.3	157.0	224.0	K-4580/K-4535
	4.1250	1.1875	6.4	3.3	130.0	173.0	K-45284/K-45220
	4.1250	1.4375	3.5	3.3	145.0	204.0	K-HM807046/K-HM 807010
	4.2500	1.4375	3.5	3.3	151.0	190.0	K-537/K-532 X
	4.3750	1.1875	3.5	3.3	105.0	140.0	K-HM907643/K-HM 907614
	4.3750	1.1875	3.5	3.3	95.2	114.0	K-55200/K-55437
	4.3750	1.5000	3.5	3.3	151.0	190.0	K-537/K-532 A
	4.4375	1.1875	3.5	3.3	95.2	114.0	K-55200/K-55443
	4.6250	1.3125	3.5	3.3	128.0	150.0	K-66200/K-66462
2.0625	3.6250	0.9688	0.8	3.5	85.8	118.0	28584/28521
2.1250	3.5000	0.7500	2.3	2.0	583.0	78.0	K-LM 806649/K-LM 806610
	3.7500	1.0938	1.5	0.8	105.0	137.0	K-33895/K-33822
	4.1250	1.4375	3.5	3.3	145.0	204.0	K-HM 807049/K-HM 807010
2.1250	4.2500	1.4375	3.5	3.3	151.0	190.0	K-539/K-532 X
	4.3750	1.5000	3.5	3.3	151.0	190.0	K-539/K-532 A
	4.7500	1.6250	3.5	3.3	168.0	212.0	K-621/K-612
	4.8750	1.4375	3.3	3.5	157.6	291.0	CK 72212/2/SK 72487/3
	5.0000	1.7500	3.5	3.3	209.0	275.0	K-65212/K-65500
2.1875	3.8437	0.9688	3.5	3.5	89.7	129.0	K-28680/K-28622
	4.8125	1.7188	1.3	1.3	201.0	305.0	K-5566/K-5535
2.2500	3.8125	0.8268	2.3	0.8	80.9	102.0	K-387/K-382 A
	3.8125	0.8268	3.5	0.8	80.9	102.0	K-387 A/K-382 A
	3.8125	0.8268	5.0	0.8	80.9	102.0	K-387 AS/K-382 A
	3.8125	1.0000	2.3	2.3	80.9	102.0	K-387/K-382 S
	3.8125	1.0000	3.5	2.3	80.9	102.0	K-387 A/K-382 S
	3.8125	1.0000	5.0	2.3	80.9	102.0	K-387 AS/K-382 S
	3.8437	0.9688	3.5	0.8	89.7	129.0	K-28682/K-28622
	3.8750	0.8268	2.3	0.8	80.9	102.0	K-387/K-382
	3.8750	0.8268	3.5	0.8	80.9	102.0	K-387 A/K-382
	3.8750	0.8268	5.0	0.8	80.9	102.0	K-387 AS/K-382
	3.9370	0.8268	2.3	2.0	80.9	102.0	K-387/K-383 A
	3.9370	0.8268	3.5	2.0	80.9	102.0	K-387 A/K-383 A
	3.9370	0.8268	5.0	2.0	80.9	102.0	K-387 AS/K-383 A
	4.1250	1.1875	2.3	3.3	121.0	160.0	K-462/K-453 X
	4.2500	1.0938	2.3	2.3	121.0	160.0	K-462/K-453 AS
	4.4375	1.1875	8.0	3.3	142.0	204.0	K-39581/K-39520
	4.4375	1.1875	3.5	3.3	142.0	204.0	K-39580/K-39520
	4.7238	1.2894	3.5	0.8	142.0	204.0	K-39580/K-39528
	4.7500	1.6250	3.5	3.3	212.0	186.0	K-623/K-612
	5.0000	1.7500	3.5	3.3	209.0	275.0	K-65225/K-65500
2.2650	3.8125	0.8268	3.5	0.8	80.9	102.0	K-388 A/K-382 A
	3.8125	1.0000	3.5	2.3	80.9	102.0	K-388 A/K-382 S
	3.8750	0.8268	3.5	0.8	80.9	102.0	K-388 A/K-382
	3.9370	0.8268	3.5	2.0	80.9	102.0	K-388 A/K-383 A
2.3750	3.9370	1.0000	3.5	3.3	85.8	125.0	K-28985/K-28921
	4.0000	1.0000	3.5	3.3	85.8	125.0	K-28985/K-28920
	5.0000	1.4375	3.5	1.5	165.0	236.0	K-HM 813841/K-HM 813811
	5.0000	1.7500	3.5	3.3	209.0	275.0	K-65237/K-65500

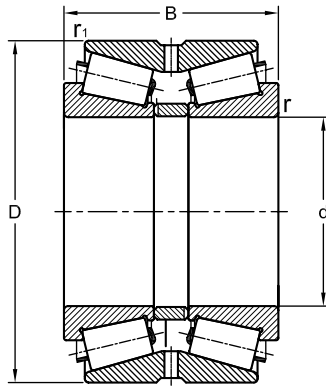
Dimensions				Load Rating			AEC Bearing
inch				kN			
d	D	B	r (mm)	r ₁ (mm)	Dynamic (C)	Static (C ₀)	
2.4375	5.1250	1.4375	5.0	3.3	151.0	180.0	K-HM 9112245/K-HM 911241n
	5.3750	1.8125	3.5	3.3	229.0	375.0	K-H 715334/K-H 715311
	5.7500	1.6250	3.5	3.3	198.0	236.0	K-H 913842/K-H 913810
2.5000	5.7500	1.6250	7.0	3.3	198.0	236.0	K-H 913843/K-H 913810
	4.1250	0.8438	2.0	2.0	85.8	112.0	K-39250/K39412
	4.2500	1.0000	3.5	3.3	89.7	137.0	K-29585/K-29520
2.5625	4.3307	0.8661	3.5	1.3	88.0	118.0	K-395/K-394 A
	4.4375	1.1875	3.5	3.3	142.0	204.0	K-39585/K-39520
	4.4375	1.1875	3.5	3.3	123.0	183.0	K-3982/K-3920
2.5979	4.8750	1.5000	3.5	3.3	173.0	240.0	K-559/K-552 A
	5.1181	1.4646	3.0	3.6	194.3	370.0	565XL/562SL
	5.3447	2.1250	3.5	3.3	286.0	400.0	K-6379/K-6320
2.6250	4.8809	1.6339	7.0	3.5	224.0	310.0	K-H 212749/K-H 212710
	4.3307	0.8661	0.8	1.3	88.0	118.0	K-395 A/K-394 A
	4.3307	0.8661	3.5	1.3	88.0	118.0	K-395 S/K-394 A
2.6250	4.3307	1.0000	3.5	1.3	89.7	137.0	K-29590/K-29521
	4.4375	1.1875	3.5	3.3	123.0	183.0	K-3984/K-3920
	4.4375	1.1875	3.5	0.8	123.0	183.0	K-3984/K-3925
2.6250	4.4375	1.1875	3.5	3.3	142.0	204.0	K-39590/K-39520
	4.6250	1.1875	3.5	3.3	123.0	190.0	K-33262/K-33462
	4.7244	1.1730	3.5	0.8	123.0	190.0	K-33262/K-33472
2.6875	4.8750	1.5000	3.5	3.3	172.0	240.0	K-560/K-552 A
	5.3447	2.1250	4.3	3.3	286.0	400.0	K-6386/K-6320
	5.3750	1.6250	3.5	3.3	194.0	260.0	K-641/K-632
2.7500	4.3307	0.8661	2.3	1.3	88.0	118.0	K-399 A/K-394 A
	5.3750	1.8125	3.5	3.3	229.0	375.0	K-H 715343/K-H 715311
	6.3750	1.9375	3.5	3.3	260.0	335.0	K-9278/K-9220
2.7500	3.9062	0.6693	1.5	1.5	46.8	76.5	K-LL 713149/K-LL 713110
	4.4375	1.0000	1.5	3.3	99.0	156.0	K-29675/K-29620
	4.6250	1.1875	3.5	3.3	123.0	190.0	K-33275/K-33462
2.7559	4.7244	1.1730	3.5	0.8	123.0	190.0	K-33275/K-33472
	4.7244	1.2813	3.5	3.3	154.0	228.0	K-47487/K-47420
	4.8750	1.1875	3.5	3.3	132.0	186.0	K-482/K-472 X
2.8125	5.0000	1.4375	3.5	3.3	176.0	255.0	K-566/K-563
	4.7244	1.1730	2.0	2.0	132.0	186.0	K-484/K-472
	4.6250	1.1875	3.5	3.3	123.0	190.0	K-33281/K-33462
2.8750	4.7244	1.1730	3.5	0.8	123.0	190.0	K-33281/K-33472
	4.7244	1.2813	3.5	3.3	154.0	228.0	K-47490/K-47420
	5.0000	1.4375	3.5	1.5	165.0	236.0	K-HM 813849/K-813811
2.8750	5.3750	1.6250	6.4	3.3	194.0	260.0	K-645/K-632
	5.3750	1.6250	3.5	3.3	224.0	290.0	K-H 414249/K-H 414210
	5.3750	1.8125	3.5	3.3	229.0	375.0	K-H 715345/K-H 715311
2.8750	4.4375	1.0000	3.5	3.3	99.0	156.0	K-29685/K-29620
	4.6250	1.1875	3.5	3.3	123.0	190.0	K-33287/K-33462
	4.7244	1.1730	3.5	0.8	123.0	190.0	K-33287/K-33472
2.8750	5.0000	1.4375	3.5	3.3	176.0	255.0	K-567/K-563
	5.0000	1.4375	4.8	3.3	176.0	255.0	K-567 X/K-563

Dimensions				Load Rating			AEC Bearing
inch				kN			
d	D	B	r (mm)	r ₁ (mm)	Dynamic (C)	Static (C ₀)	
3.0000	4.3125	0.7500	1.5	1.5	58.3	102.0	K-L 814749/K-L 814710
	5.0000	1.1875	3.5	3.3	138.0	204.0	K-42687/K-42620
	5.0000	1.1875	6.4	3.3	138.0	204.0	K-42688/K-42620
	5.2500	1.1875	6.4	3.3	145.0	220.0	K-495 AX/K-492 A
	5.2500	1.1875	3.5	3.3	145.0	220.0	K-495 A/K-492 A
	5.2500	1.3125	6.4	3.3	165.0	260.0	K-47678/K-47620
	5.3750	1.1875	3.5	3.3	145.0	220.0	K-495 A/K-493
	5.3750	1.1875	6.4	3.3	145.0	220.0	K-495 AX/K-493
	5.5000	1.4375	3.5	3.3	187.0	280.0	K-575/K-572 X
	5.5115	1.4375	3.5	3.3	187.0	280.0	K-575/K-572
	5.7500	1.6250	3.5	3.3	220.0	320.0	K-659/K-653
	5.9090	1.7500	3.5	3.3	286.0	405.0	K-748 S/K-742
	6.0000	1.6250	3.5	3.3	220.0	320.0	K-659/K-652
	6.3750	1.9375	3.5	3.3	260.0	335.0	K-9285/K-9220
	3.0625	4.6250	1.0000	3.5	3.3	101.0	163.0
3.1875	5.2500	1.1875	3.5	3.3	145.0	220.0	K-496/K-492 A
	5.3750	1.1875	3.5	3.3	145.0	220.0	K-496/K-493
3.2500	4.9375	1.0000	3.5	1.5	112.0	186.0	K-27687/K-27620
	5.2500	1.1875	3.5	3.3	145.0	220.0	K-495/K-492 A
	5.2500	1.3125	3.5	3.3	165.0	260.0	K-47686/K-47620
	5.3750	1.1875	3.5	3.3	145.0	220.0	K-495/K-493
	5.5000	1.4375	3.5	3.3	187.0	280.0	C-580/K-572 X
	5.5115	1.4375	3.5	3.3	187.0	280.0	K-580/K-572
	5.5115	1.4375	6.8	3.3	187.0	280.0	K-582/K-572
	5.7500	1.6250	3.5	3.3	220.0	320.0	K-663/K-653
	5.9090	1.7500	3.5	3.3	286.0	405.0	K-749 A/K-742
	6.0000	1.6250	3.5	3.3	220.0	320.0	K-663/K-652
3.2813	4.9375	1.0000	3.5	1.5	112.0	186.0	K-27690/K-27620
3.3125	5.2500	1.1875	3.5	3.3	145.0	220.0	K-498/K-492 A
	5.3750	1.1875	3.5	3.3	145.0	220.0	K-498/K-493
3.3475	5.9090	1.7500	3.5	3.3	286.0	405.0	K-749/K-742
3.3750	5.2500	1.1875	3.5	3.3	145.0	220.0	K-497/K-492 A
	5.3750	1.1875	3.5	3.3	145.0	220.0	K-497/K-493

Taper Roller Bearings

Double Row
Metric Series

97, 209, 430



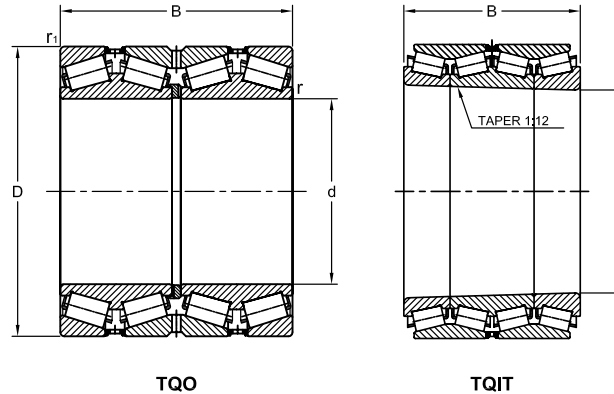
Dimensions				Load Rating			AEC Bearing
mm				kN			
d	D	B	r	r ₁	Dynamic (C)	Static (C ₀)	
30	62	50	1	0.6	58.7	54.0	97506
40	80	55	2	1.0	91.2	87.9	97508
45	85	55	2	1.0	86.7	83.6	97509
50	90	55	2	1.0	100.0	107.0	97510
55	100	60	2	1.0	122.0	121.0	97511
60	110	65	2	1.0	141.0	148.0	97512
70	125	75	2	1.0	185.0	199.0	97514
75	130	75	2	1.0	193.0	212.0	97515
80	140	80	3	1.0	224.0	246.0	97516
90	160	96	3	1.0	294.0	336.0	97518
95	170	108	3	1.0	380.0	440.0	97519
100	180	83	3	1.0	457.0	1124.1	430220
	180	112	3	1.0	391.0	462.0	97520
105	190	118	3	1.0	455.0	546.0	97521
120	200	110	3	0.6	429.0	517.0	2097724
	215	136	3	1.0	591.0	744.0	97524
130	210	110	3	0.6	475.0	599.0	2097726
	230	149	4	1.5	650.0	841.0	97526
150	210	85	3	0.6	270.0	3900.0	2097930
	250	138	3	1.0	667.0	838.0	2097730
	270	172	4	1.5	924.0	1180.0	97530
160	270	150	3	1.0	791.0	1050.0	2097732
180	250	95	3	0.6	417.0	583.0	2097936
	280	134	3	1.0	715.0	950.0	2097136
	300	164	4	1.5	958.0	1290.0	2097736
190	260	95	3	0.6	431.0	618.0	2097938
	320	172	4	1.5	991.0	1300.0	2097738
200	280	118	3	1.0	545.0	8200.0	2097940
	310	151	3	1.0	857.0	1210.0	2097140
	340	183	4	1.5	1250.0	1680.0	2097740
220	300	110	3	1.0	577.0	900.0	2097944
	340	165	4	1.5	1030.0	1400.0	2097144

Dimensions					Load Rating		AEC Bearing
mm					kN		
d	D	B	r	r ₁	Dynamic (C)	Static (C ₀)	
240	370	200	5	1.5	1400.0	1870.0	2097744
	320	109	3	1.0	585.0	927.0	2097948
	340	165	4	1.0	1030.0	1400.0	2097148
260	400	210	5	1.5	1580.0	2170.0	2097748
	360	136	3	1.0	850.0	1280.0	2097952
	400	186	5	1.5	1350.0	1960.0	2097152
280	440	225	5	1.5	1920.0	2590.0	2097752
	420	189	5	1.5	1420.0	2030.0	2097156
300	420	160	4	1.0	1260.0	1800.0	2097960
340	460	160	4	1.0	1350.0	2000.0	2097968
360	480	160	4	1.0	1390.0	2090.0	2097972

Taper Roller Bearings

Four Row
Metric & Inch Series

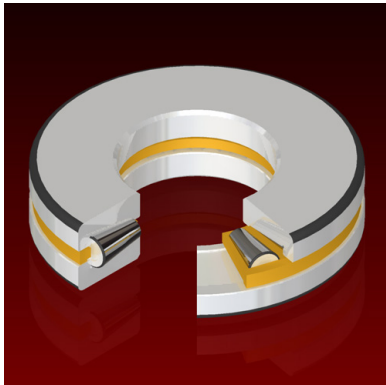
HM, LM, M



Dimensions				Load Rating			AEC Bearing	Design
mm				kN				
d	D	B	r	r ₁	Dynamic (C)	Static (C ₀)		
95.25	137	122.24	0.8	2.3	452.6	553.5	LM 119348 D/11/11 D	TQO
127	183	158.75	1.5	3.3	746.7	1014.1	48290 DW/220/220 D	TQO
177	248	192.09	1.5	3.3	1003.8	2773.9	67790 D/20/21 D	TQO
181	284	239.72	3.3	3.3	1473.2	3662.7	M 240631 T/611 TD/611 D	TQIT
206	282	190.50	0.8	3.3	1390.2	2160.9	67986 DW/20/21 D	TQO
220	340	305.00	3.0	3.0	2522.2	5760.8	2077144	TQO
221	314	239.71	1.5	3.3	2057.7	2856.9	M 244249 D/210/210 D	TQO
244	327	193.68	1.5	3.3	1685.7	2429.7	LM 247748 D/710/710 D	TQO
260.35	422	317.50	6.4	3.3	3661.3	5161.8	HMC 252349 D/310/310 D	TQO
267	356	228.60	1.5	3.3	1835.2	5324.4	LM 451349 DW/10/10 D	TQO
280	460	324.00	5.0	5.0	2800.0	3840.0	1077756	TQO
286	381	244.48	1.5	3.3	2614.8	4007.2	LM 654648 DW/610/610 D	TQO
289	406	298.45	3.3	3.3	3684.6	5362.2	M 255449 D/410/410 D	TQO
300	460	390.00	4.0	4.0	3240.0	5070.0	2077160	TQO
318	448	327.03	3.3	3.3	4960.6	7280.0	HM 259049 D/10/10 D	TQO
343	457	252.50	1.5	3.3	2388.0	6780.0	LM 761649 DW/610/610 D	TQO
348	470	292.10	3.3	3.3	3989.9	5676.4	HM 262449 DW/410/410 D	TQO
368	524	382.59	3.3	6.4	6949.1	10245.7	M 265049 DW/010/010 D	TQO
384	546	400.05	3.3	6.4	6981.2	9950.2	HM 266449 DW/410/410 D	TQO
406	546	288.92	1.5	6.4	3576.8	10589.9	LM 767749 DW/10/10 D	TQO
450	595	368.00	3.0	6.0	7209.0	10603.5	M 270449 DW/410/410 D	TQO
480	700	420.00	6.0	2.5	5468.0	15466.6	577796	TQIT
500	720	420.00	8.0	8.0	5660.0	9050.0	771/500	TQO
630	920	515.00	8.0	8.0	8790.0	14600.0	771/630	TQO

Taper Roller Bearings

Thrust
Inch Series



Dimensions				Load Rating		AEC Bearing
mm				kN		
d	D	B	r	Dynamic (C)	Static (C ₀)	
76.200	161.925	33.338				T 311
111.760	223.520	55.880	3.3	91.2	87.9	T 441
127.000	266.700	58.738	4.8	86.7	83.6	T 511
128.588	266.700	58.738	4.8	100.0	107.0	T 511 A
127.000	250.825	55.562	4.8	122.0	121.0	T 520
152.400	317.500	69.850	4.8	141.0	148.0	T 611
165.100	311.150	88.900	6.4	185.0	199.0	T 651
168.275	304.800	69.850	6.4	193.0	212.0	T 661
174.625	358.775	82.550	6.4	224.0	246.0	T 691
177.800	368.300	82.550	8.0	294.0	336.0	T 711
203.200	419.100	92.075	8.0	380.0	440.0	T 811
228.600	431.800	88.773	9.7	457.0	1124.1	T 9020
228.600	482.600	104.775	11.2	391.0	462.0	T 911
234.950	482.600	104.775	11.2	391.0	462.0	T 911 A
234.950	546.100	127.000	16.0	455.0	546.0	T 921
190.500	368.300	92.250	8.7	429.0	517.0	T 9727
206.375	419.100	120.650	11.4	591.0	744.0	T 9848
241.300	496.300	127.000	16.0	475.0	599.0	T 9936
260.000	360.000	92.000	1.0	650.0	841.0	350981 C¹
273.050	552.450	132.715	6.4	4372.0	20777.0	N 3243 A
350.000	490.000	130.000	1.1	990.0	4650.0	351100 C¹

¹ Double Direction Thrust Bearing